

MEGAFOOT

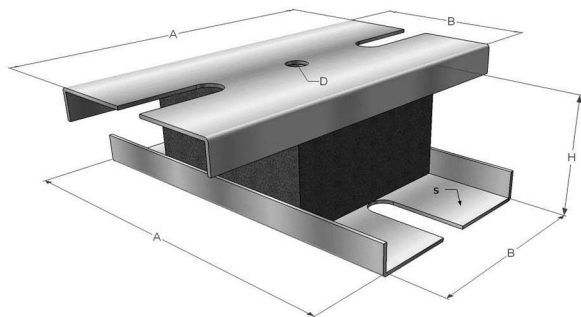
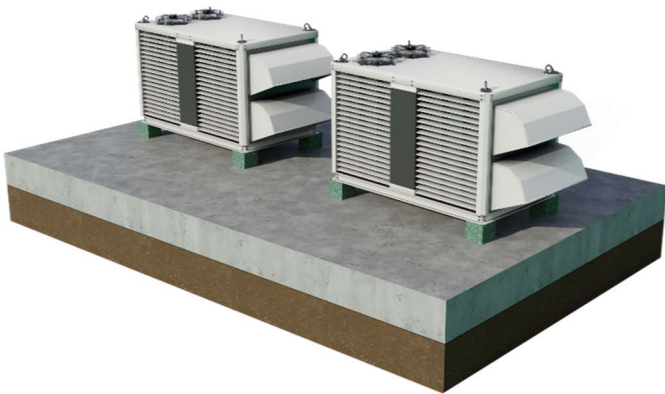
VIBRATION CONTROL



VIBRATION ISOLATION SUPPORT WITH INSERT MADE OF RUBBER FROM END-OF-LIFE TYRES (ELTs)

■ TECHNICAL SPECIFICATION

Anti-vibration support consists of two shaped stainless steel paltes with an insert made of fibres and granules rubber from End-of-Life Tyres (ELTs). Hot-pressed with polyurethane glue; lenght... mm, width..... Mm, thickness mm, with provision for central fixing with M



■ APPLICATION AREA

LOW DENSITY - TYPE L

								X
								L
								M
								S
2700	1200	700	450	300	200	100	50	

Machine weight (Kg) - evaluation on 4 mouts

HIGH DENSITY - TYPE H

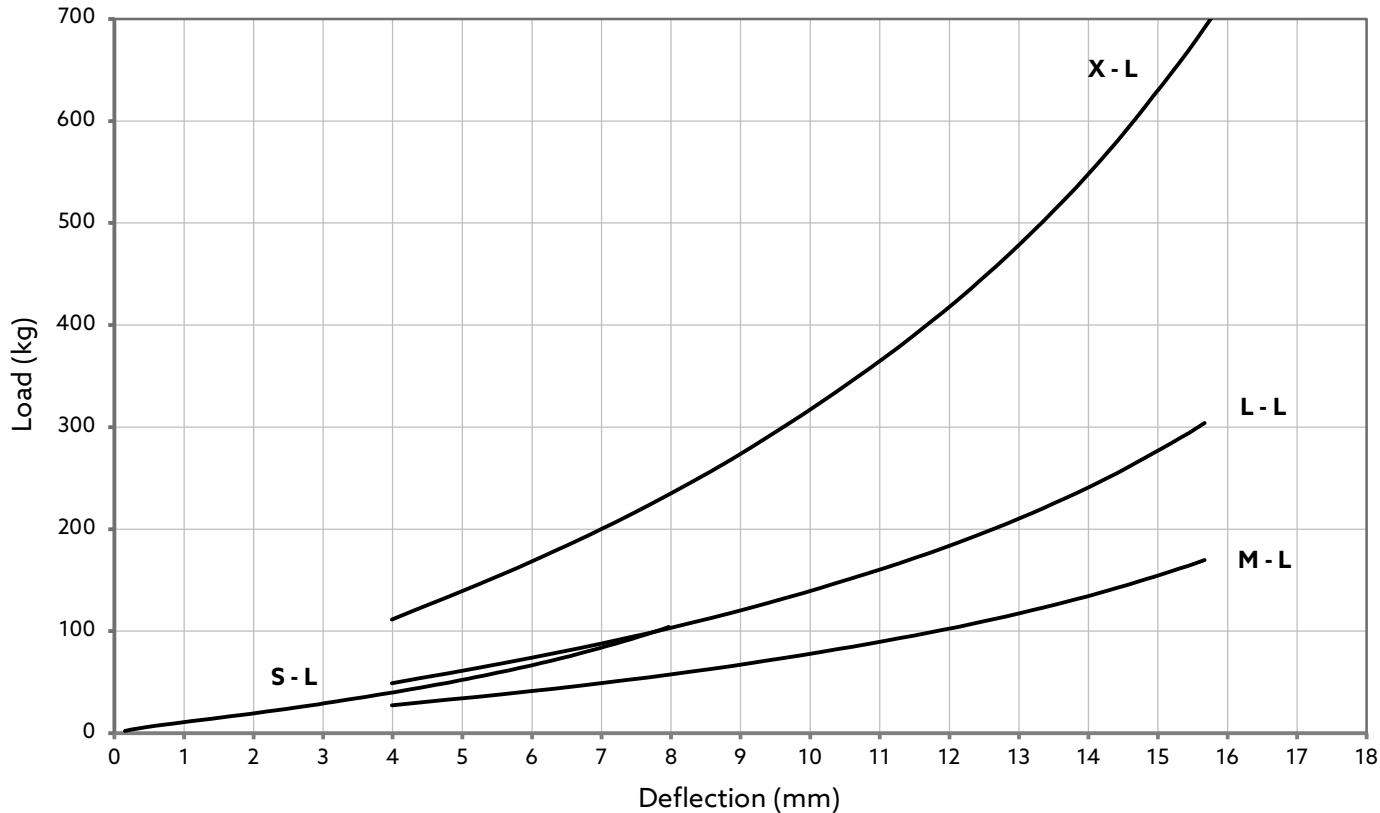
								X
								L
								M
								S
10000	4500	2500	1500	1200	500	300	150	

Machine weight (Kg) - evaluation on 4 mouts

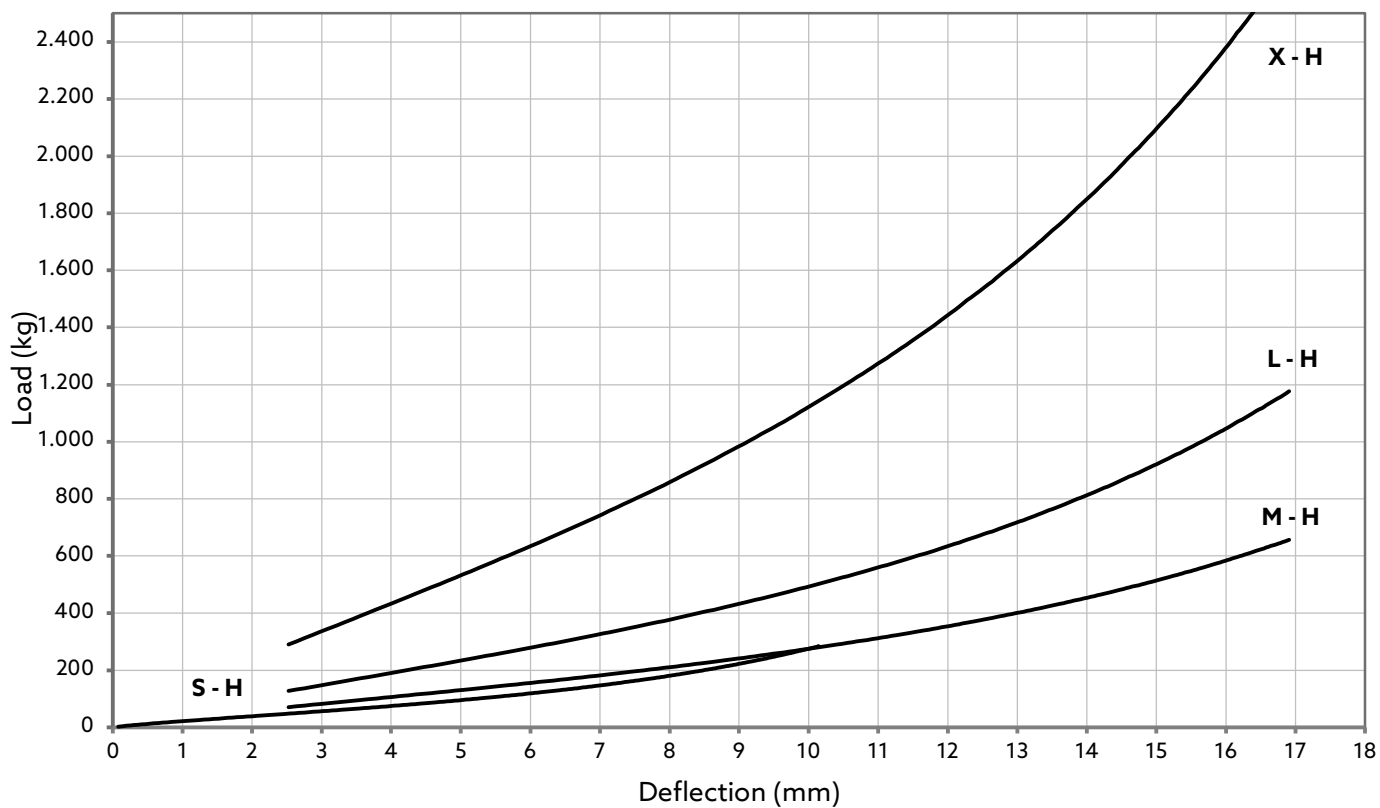
■ TECHNICAL DATA

	Unit	S	M	L	X	Tolerance
Thickness of rubber insert (H)	mm	30	50	50	50	± 1%
Thickness of metal profile (s)	mm	1,5	1,5	2,5	2,5	
Length (A)	mm	100	150	200	250	± 0,5%
Width excluding the profile (B)	mm	50	75	100	150	± 0,5%
Threaded hole for fixing (D)		M6	M8	M10	M14	
Weight (low density - high density)	Kg	0,2	0,5-0,6	1,2-1,4	2,2-2,6	± 10%
Temperature range of use		- 20 °C / + 110 °C				
Inflammability		E				

■ AREA OF APPLICATION - LOW DENSITY - COMPRESSION BEHAVIOR



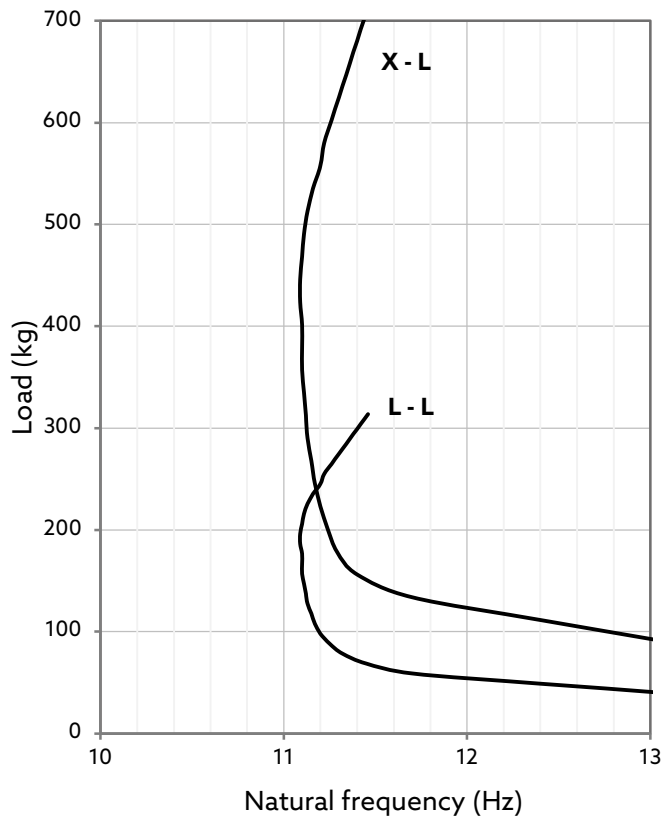
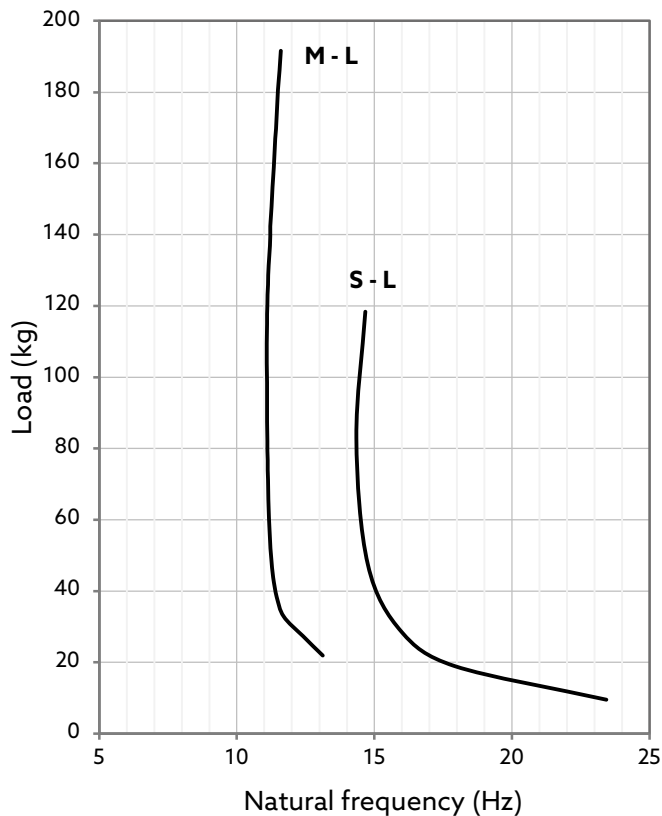
■ AREA OF APPLICATION - HIGH DENSITY - COMPRESSION BEHAVIOR



MEGAFOOT VIBRATION CONTROL



■ AREA OF APPLICATION - LOW DENSITY - NATURAL FREQUENCY



■ AREA OF APPLICATION - HIGH DENSITY - NATURAL FREQUENCY

