

TECHNICAL SPECIFICATION

Anti-vibration support consists of two shaped stainless steel paltes with an insert made of selected SBR (Styrene Butadiene Rubber) fibers and granules of ribber. Hot-pressed with polyurethane glue; lenght... mm, width..... Mm, thickness mm, with provision for central fixing with M



AREA OF APPLICATION - LOW DENSITY

									X - L
									L - L
									M - L
									S - L
2700	1200	700	450	300	200	100	50		

Machine weight (Kg) - evaluation on 4 mouts

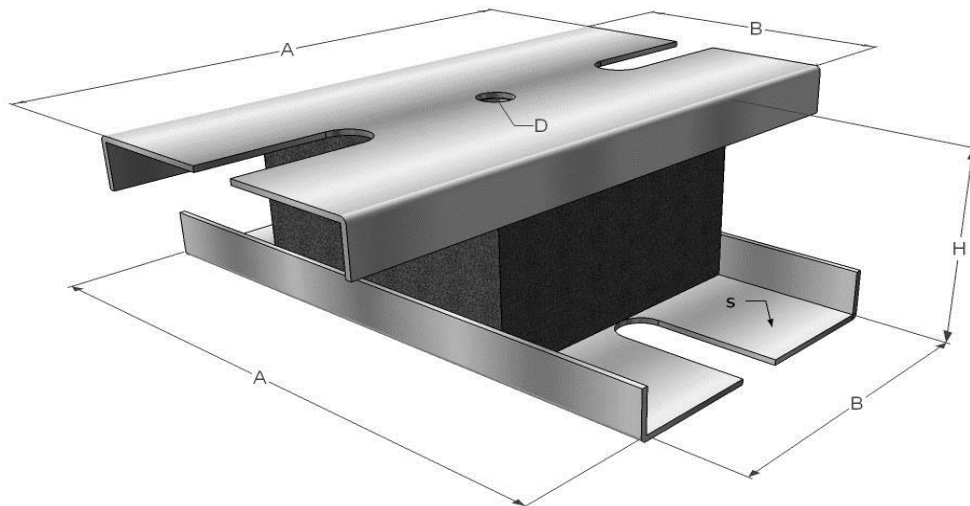
AREA OF APPLICATION - HIGH DENSITY

									X - H
									L - H
									M - H
									S - H
10000	4500	2500	1500	1200	500	300	150		

Machine weight (Kg) - evaluation on 4 mouts

PHYSICAL CHARACTERISTICS

	Unit	S	M	L	X	Tolerance
Thickness of rubber insert (H)	mm	30	50	50	50	± 1%
Thickness of metal profile (s)	mm	1,5	1,5	2,5	2,5	
Lenght (A)	mm	100	150	200	250	± 0,5%
Width excluding the profile (B)	mm	50	75	100	150	± 0,5%
Threaded hole for fixing (D)		M6	M8	M10	M14	
Weight (low density - high density)	kg	0,2	0,5-0,6	1,2-1,4	2,2-2,6	± 10%

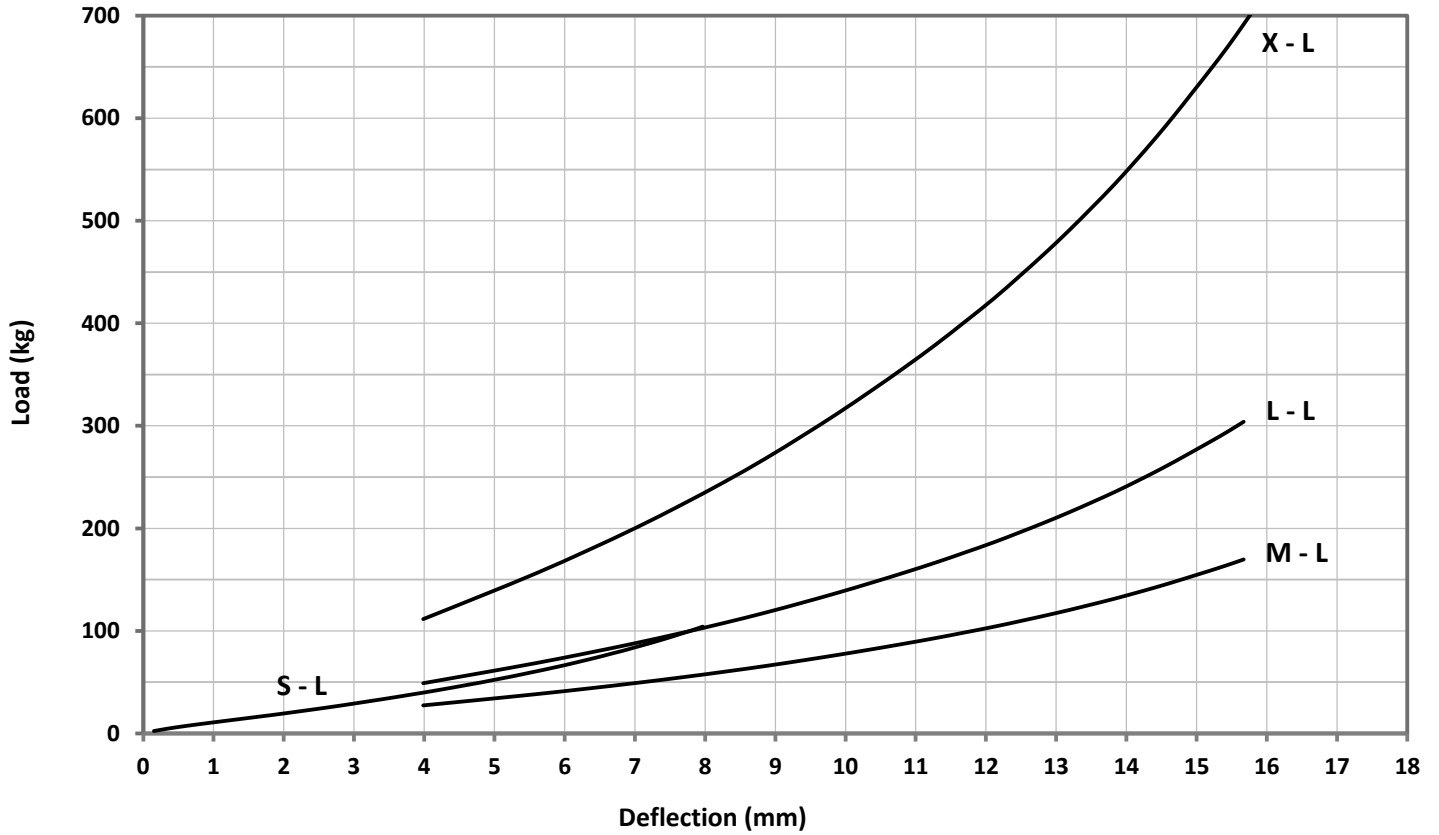


TECHNICAL CHARACTERISTICS

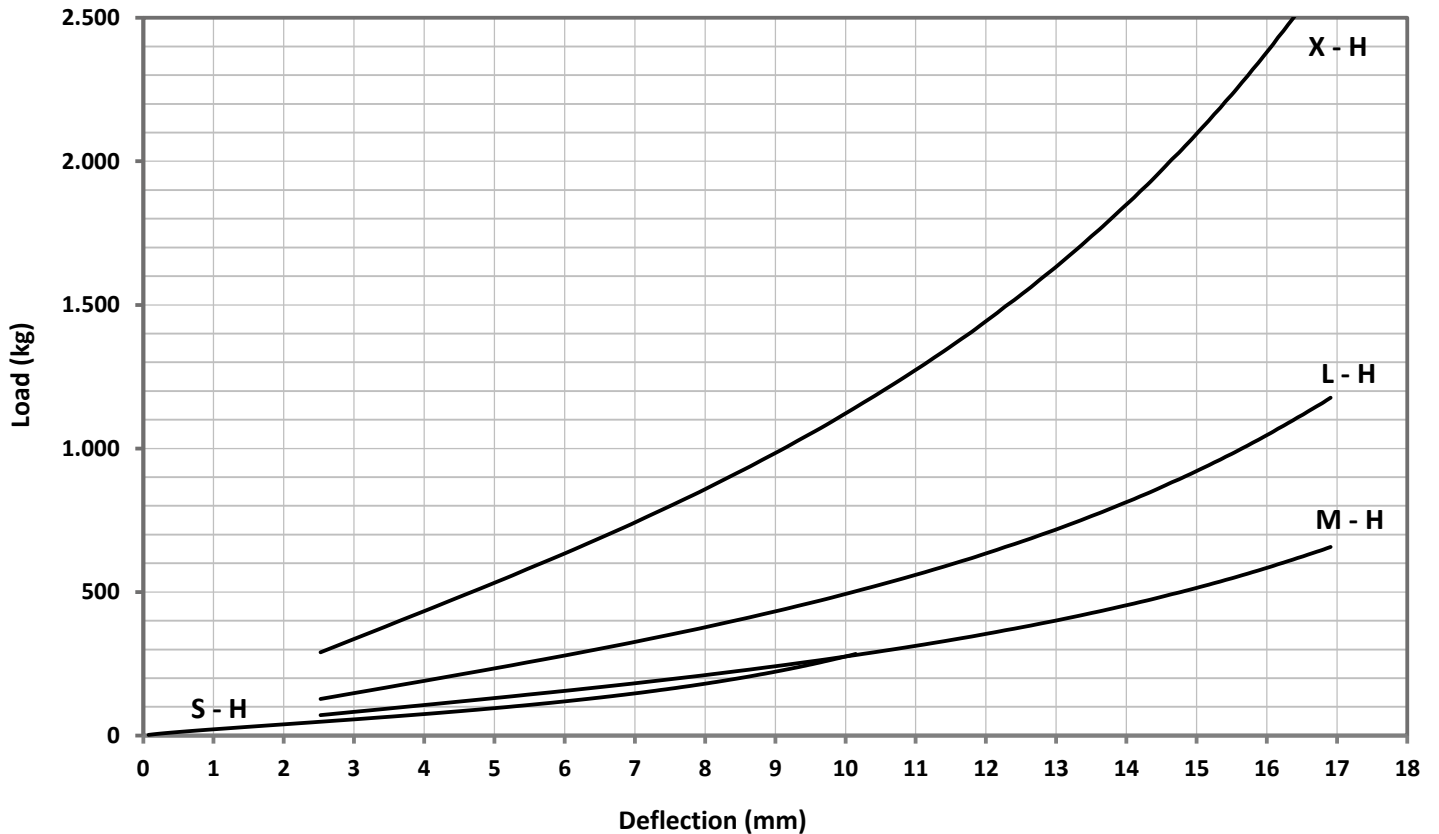
	Unit	S	M	L	X	Tolerance
Temperature range of use		-20 °C / +110 °C				± 5%
Inflammability	EN 13501-1	E				

The suggestions and technical information given above represent our knowledge regarding the properties and the product's uses. ISOLGOMMA reserve the right to modify or update this data without prior notice. This document is the property of ISOLGOMMA and all rights are therefore reserved.

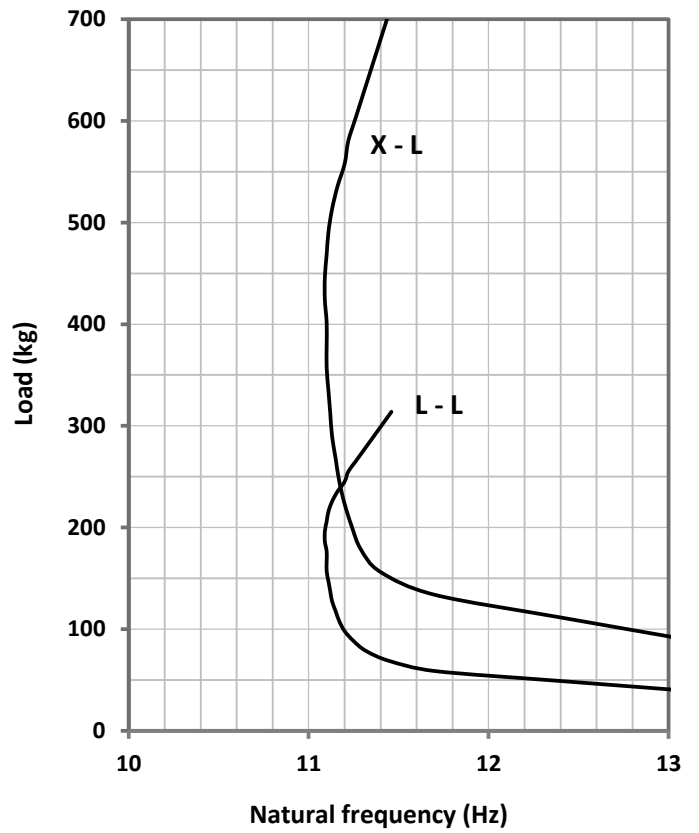
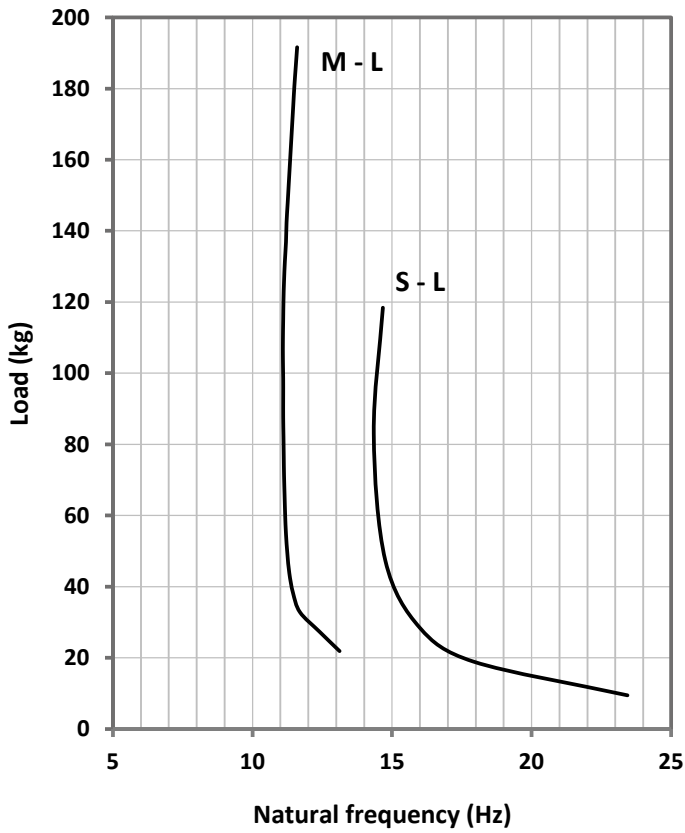
AREA OF APPLICATION - LOW DENSITY - COMPRESSION BEHAVIOR



AREA OF APPLICATION - HIGH DENSITY - COMPRESSION BEHAVIOR



AREA OF APPLICATION - LOW DENSITY - NATURAL FREQUENCY



AREA OF APPLICATION - HIGH DENSITY - NATURAL FREQUENCY

